

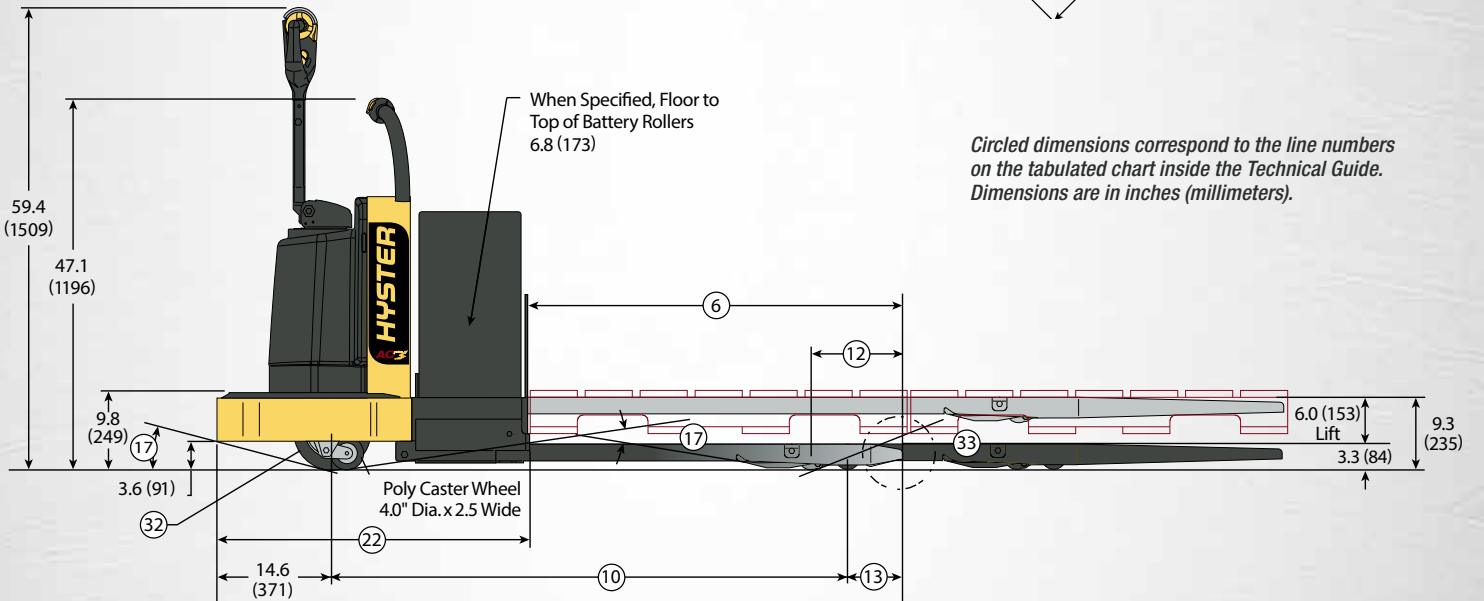
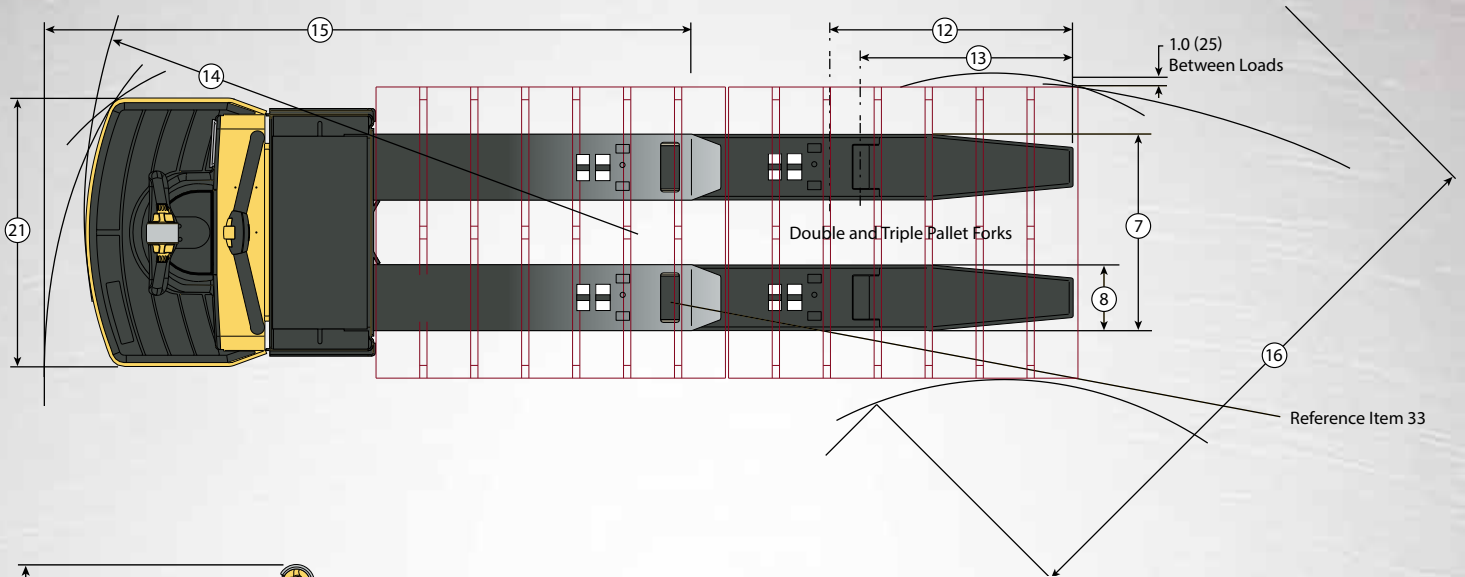
B60-80Z^{HD} SERIES



**STRONG PARTNERS.
TOUGH TRUCKS.™**

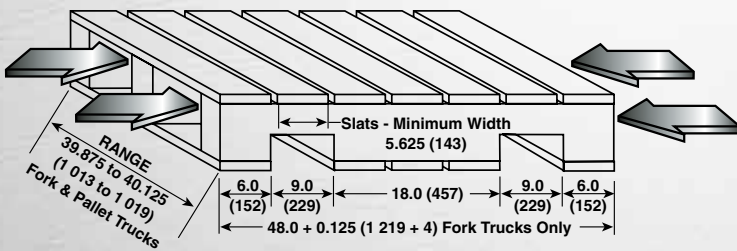
TECHNICAL GUIDE
Heavy Duty End Riders

B60-80Z^{HD} DIMENSIONS



Circled dimensions correspond to the line numbers on the tabulated chart inside the Technical Guide. Dimensions are in inches (millimeters).

GMA Pallet – Standard Dimensions



B60Z^{HD} SPECIFICATIONS

GENERAL	1	Manufacturer	Hyster						
	2	Model Designation	B60Z ^{HD}						
	3	Power Type	24 Volt						
	4	Operator Type	Stand Ride						
	5	Rated Capacity		lb (kg) 6000 (2722)					
	6	Fork Length	Nominal	in (mm)	36 (914)	42 (1067)	48 (1219)	54 (1372)	60 (1524)
			Actual	in (mm)	35.7 (908)	41.8 (1061)	47.8 (1213)	53.7 (1365)	59.8 (1518)
	7	Fork Overall Width		in (mm)	27.1 (688)				
	8	Fork Width	Individual Fork	in (mm)	9.1 (232)				
9	Load Distance (Face of Battery Box to Center of Load Wheels)	Raised	in (mm)	23.3 (591)	29.3 (744)	35.3 (896)	41.3 (1048)	47.3 (1201)	
		Lowered	in (mm)	27.6 (702)	33.6 (854)	39.6 (1007)	45.6 (1159)	51.7 (1312)	
10	Wheelbase	Raised	in (mm)	51.3 (1303)	57.3 (1455)	63.3 (1608)	69.3 (1760)	75.3 (1912)	
		Lowered	in (mm)	55.1 (1400)	61.1 (1552)	67.1 (1705)	73.1 (1857)	79.1 (2010)	
11	Overall Length	Raised	in (mm)	78.2 (1987)	84.2 (2139)	90.2 (2292)	96.2 (2444)	102.2 (2597)	
		Lowered	in (mm)	77.7 (1974)	83.7 (2126)	89.7 (2279)	95.7 (2431)	101.7 (2583)	
12	Center of Load Wheel to Tip of Forks	Raised	in (mm)	12.5 (317)					
		Lowered	in (mm)	8.1 (206)					
14	Outside Turning Radius	Raised	in (mm)	65.7 (1670)	71.8 (1823)	77.8 (1975)	83.8 (2128)	89.8 (2280)	
		Lowered	in (mm)	69.6 (1768)	75.6 (1920)	81.6 (2073)	87.6 (2225)	93.6 (2377)	
15	Right Angle Stack	Raised	in (mm)	81.6 (2073)	N/A	92.1 (2340)	N/A		
16	Equal Intersecting Aisle	Raised	in (mm)	63.0 (1599)	N/A	69.2 (1757)	N/A		
17	Grade Clearance	Chassis	%	28					
		Center of Wheelbase	%	39	34	31	28	26	
		Forks	%	37					
18	Overall Lift Height	Top of Forks	in (mm)	9.3 (235)					
19	Lowered Height	Top of Forks	in (mm)	3.3 (84)					
20	Total Lift		in (mm)	5.9 (151)					
21	Truck Overall Width		in (mm)	36.9 (937)					
22	Chassis Length	Raised	in (mm)	42.5 (1079)					
		Lowered	in (mm)	42.0 (1066)					
23	Battery Compartment (Standard / With Battery Rollers)		32.0 x 13.4 x OPEN (813 x 340 x OPEN)						
24	Maximum Travel Speed - Chassis First	No Load / Rated Load	mph (kph)	9.0 / 6.7 (14.5 / 10.8)					
25	Maximum Travel Speed - Forks First	No Load / Rated Load	mph (kph)	6.0 / 6.0 (9.7 / 9.7)					
26	Number of Speeds		Infinitely Variable						
27	Traction Motor Control Method	Type	AC Transistor						
28	Service Brake	Type	Electro-Mechanical						
29	Truck Weight (approx.) Without Battery	No Load / Rated Load	lb (kg)	1378.0 / 7379.0 (625.0 / 3347.0)	1429.0 / 7430.0 (648.0 / 3370.0)	1473.0 / 7474.0 (668.0 / 3390.0)	1519.0 / 7520.0 (689.0 / 3411.0)	1563.0 / 7564.0 (709.0 / 3431.0)	
30	Axle Loading - Drive: Static with Maximum Wt. Battery (No Load)		lb (kg)	1731 (785)	1823 (827)	1903 (863)	1997 (906)	2090 (948)	
31	Axle Loading - Load Wheels (combined): Static w/Maximum Wt. Battery (No Load)		lb (kg)	798 (362)	750 (340)	714 (324)	666 (302)	617 (280)	
32	Drive Tire: Size / Type (Number of Wheels)		in	12.0 x 4.5 x 8.0 / Polyurethane (1)					
33	Load Wheel: Size / Type (No. of Wheels) (No. of Bearings)		in	3.25" x 6.5" / Polyurethane (2) (2)					
34	Caster Wheel: Size / Type (No. of Wheels) Caster Type		in	4.0" x 2.5" / Polyurethane (2) Spring Loaded					
35	Type		Lead Acid						
36	Ampere Hours - Maximum		ah	930					
37	Ampere Hours - Minimum		ah	375					
38	Maximum Weight		lb (kg)	1500 (680)					
39	Minimum Weight		lb (kg)	540 (245)					

NOTE: Above specifications, unless otherwise listed, are for a standard truck without optional equipment. Right Angle Stack and Equal Intersecting Aisle are calculated using a 40" wide pallet.

CERTIFICATION: These Hyster® lift trucks meet design specifications of Part II ANSI B56.1-1969, as required by OSHA Section 1910.178(a)(2) and also comply with Part III ANSI B56.1-revision in effect at time of manufacture. Certification of compliance with the applicable ANSI standards appears on the lift truck. Performance specifications are for a truck equipped as described under Standard Equipment on this Technical Guide. Performance specifications are affected by the condition of the vehicle and how it is equipped, as well as by the nature, condition of the operating area, proper service and maintenance of the vehicle. If these specifications are critical, the proposed application should be discussed with your dealer.

B60Z^{HD} SPECIFICATIONS

GENERAL	1	Manufacturer	Hyster					
	2	Model Designation	B60Z ^{HD}					
	3	Power Type	24 Volt					
	4	Operator Type	Stand Ride					
	5	Rated Capacity		lb (kg)			6000 (2722)	
	6	Fork Length	Nominal	in (mm)	96 (2438)	84 (2134)	93 (2362)	96 (2438)
			Actual	in (mm)	95.7 (2432)	83.7 (2127)	92.8 (2356)	95.7 (2432)
	7	Fork Overall Width		in (mm)	27.1 (688)			
	8	Fork Width	Individual Fork		in (mm)	9.1 (232)		
DIMENSIONS	9	Load Distance (Face of Battery Box to Center of Load Wheels)	Raised	in (mm)	83.3 (2115)	56.3 (1430)		
			Lowered	in (mm)	87.6 (2226)	60.6 (1540)		
	10	Wheelbase	Raised	in (mm)	111.3 (2827)	84.3 (2141)		
			Lowered	in (mm)	115.1 (2924)	88.1 (2238)		
	11	Overall Length	Raised	in (mm)	138.2 (3511)	126.2 (3206)	135.2 (3435)	138.2 (3511)
			Lowered	in (mm)	137.7 (3498)	125.7 (3193)	134.7 (3422)	137.7 (3498)
	12	Center of Load Wheel to Tip of Forks	Raised	in (mm)	12.5 (317)	27.4 (697)	36.5 (926)	39.4 (1002)
			Lowered	in (mm)	8.1 (206)	23.1 (587)	32.1 (816)	35.1 (892)
	14	Outside Turning Radius	Raised	in (mm)	125.7 (3194)	98.8 (2509)		
			Lowered	in (mm)	129.6 (3292)	102.6 (2606)		
	15	Right Angle Stack	Raised	in (mm)	136.9 (3478)	141.1 (3583)		
	16	Equal Intersecting Aisle	Raised	in (mm)	94.4 (2397)	82.2 (2089)		
17	Grade Clearance	Chassis	%	28				
		Center of Wheelbase	%	17	23			
		Forks	%	37	17	12	11	
18	Overall Lift Height	Top of Forks	in (mm)	9.3 (235)				
19	Lowered Height	Top of Forks	in (mm)	3.3 (84)				
20	Total Lift		in (mm)	5.9 (151)				
21	Truck Overall Width		in (mm)	36.9 (937)				
22	Chassis Length	Raised	in (mm)	42.5 (1079)				
		Lowered	in (mm)	42.0 (1066)				
23	Battery Compartment (Standard / With Battery Rollers)			32.0 x 13.4 x OPEN (813 x 340 x OPEN)				
PERFORMANCE	24	Maximum Travel Speed - Chassis First	No Load / Rated Load	mph (kph)	9.0 / 6.7 (14.5 / 10.8)			
	25	Maximum Travel Speed - Forks First	No Load / Rated Load	mph (kph)	6.0 / 6.0 (9.7 / 9.7)			
	26	Number of Speeds		Infinitely Variable				
	27	Traction Motor Control Method	Type	AC Transistor				
28	Service Brake	Type	Electro-Mechanical					
WT.	29	Truck Weight (approx.) Without Battery	No Load / Rated Load	lb (kg)	1887.0 / 7888.0 (856.0 / 3578.0)	1682.0 / 7683.0 (763.0 / 3485.0)	1737.0 / 7738.0 (788.0 / 3510.0)	1768.0 / 7769.0 (802.0 / 3524.0)
	30	Axle Loading - Drive: Static with Maximum Wt. Battery (No Load)		lb (kg)	2679 (1215)	2196 (996)	2249 (1020)	2295 (1041)
	31	Axle Loading - Load Wheels (combined): Static w/Maximum Wt. Battery (No Load)		lb (kg)	353 (160)	628 (285)	631 (286)	617 (280)
WHEELS	32	Drive Tire: Size / Type (Number of Wheels)		in	12.0 x 4.5 x 8.0 / Polyurethane (1)			
	33	Load Wheel: Size / Type (No. of Wheels) (No. of Bearings)		in	3.25" x 6.5" / Polyurethane (2) (2)	3.25" x 5.6" / Vulkollan (2) (2)		
	34	Caster Wheel: Size / Type (No. of Wheels) Caster Type		in	4.0' x 2.5" / Polyurethane (2) Spring Loaded			
BATTERY	35	Type		Lead Acid				
	36	Ampere Hours - Maximum		ah	930			
	37	Ampere Hours - Minimum		ah	375			
	38	Maximum Weight		lb (kg)	1500 (680)			
	39	Minimum Weight		lb (kg)	540 (245)			

NOTE: Above specifications, unless otherwise listed, are for a standard truck without optional equipment. Right Angle Stack and Equal Intersecting Aisle are calculated using a 40" wide pallet.

CERTIFICATION: These Hyster® lift trucks meet design specifications of Part II ANSI B56.1-1969, as required by OSHA Section 1910.178(a)(2) and also comply with Part III ANSI B56.1-revision in effect at time of manufacture. Certification of compliance with the applicable ANSI standards appears on the lift truck. Performance specifications are for a truck equipped as described under Standard Equipment on this Technical Guide. Performance specifications are affected by the condition of the vehicle and how it is equipped, as well as by the nature, condition of the operating area, proper service and maintenance of the vehicle. If these specifications are critical, the proposed application should be discussed with your dealer.

B80Z^{HD} SPECIFICATIONS

GENERAL	1	Manufacturer	Hyster						
	2	Model Designation	B80Z ^{HD}						
	3	Power Type	24 Volt						
	4	Operator Type	Stand Ride						
	5	Rated Capacity		8000 (3629)					
	6	Fork Length	Nominal	in (mm)	36 (914)	42 (1067)	48 (1219)	54 (1372)	60 (1524)
			Actual	in (mm)	35.7 (908)	41.8 (1061)	47.8 (1213)	53.7 (1365)	59.8 (1518)
	7	Fork Overall Width		in (mm)	27.1 (688)				
	8	Fork Width	Individual Fork	in (mm)	9.1 (232)				
	9	Load Distance (Face of Battery Box to Center of Load Wheels)	Raised	in (mm)	23.3 (591)	29.3 (744)	35.3 (896)	41.3 (1048)	47.3 (1201)
Lowered			in (mm)	27.6 (702)	33.6 (854)	39.6 (1007)	45.6 (1159)	51.7 (1312)	
10	Wheelbase	Raised	in (mm)	51.3 (1303)	57.3 (1455)	63.3 (1608)	69.3 (1760)	75.3 (1912)	
		Lowered	in (mm)	55.1 (1400)	61.1 (1552)	67.1 (1705)	73.1 (1857)	79.1 (2010)	
11	Overall Length	Raised	in (mm)	78.2 (1987)	84.2 (2139)	90.2 (2292)	96.2 (2444)	102.2 (2597)	
		Lowered	in (mm)	77.7 (1974)	83.7 (2126)	89.7 (2279)	95.7 (2431)	101.7 (2583)	
12	Center of Load Wheel to Tip of Forks	Raised	in (mm)	12.5 (317)					
		Lowered	in (mm)	8.1 (206)					
14	Outside Turning Radius	Raised	in (mm)	65.7 (1670)	71.8 (1823)	77.8 (1975)	83.8 (2128)	89.8 (2280)	
		Lowered	in (mm)	69.6 (1768)	75.6 (1920)	81.6 (2073)	87.6 (2225)	93.6 (2377)	
15	Right Angle Stack	Raised	in (mm)	81.6 (2073)	N/A	92.1 (2340)	N/A		
16	Equal Intersecting Aisle	Raised	in (mm)	63.0 (1599)	N/A	69.2 (1757)	N/A		
17	Grade Clearance	Chassis	%	27					
		Center of Wheelbase	%	38	34	30	27	26	
		Forks	%	37					
18	Overall Lift Height	Top of Forks	in (mm)	9.3 (235)					
19	Lowered Height	Top of Forks	in (mm)	3.3 (84)					
20	Total Lift		in (mm)	5.9 (151)					
21	Truck Overall Width		in (mm)	36.9 (937)					
22	Chassis Length	Raised	in (mm)	42.5 (1079)					
		Lowered	in (mm)	42.0 (1066)					
23	Battery Compartment (Standard / With Battery Rollers)		32.0 x 13.4 x OPEN (813 x 340 x OPEN)						
PERFORMANCE	24	Maximum Travel Speed - Chassis First	No Load / Rated Load	mph (kph)	9.0 / 6.0 (14.5 / 9.7)				
	25	Maximum Travel Speed - Forks First	No Load / Rated Load	mph (kph)	6.0 / 6.0 (9.7 / 9.7)				
	26	Number of Speeds		Infinitely Variable					
27	Traction Motor Control Method	Type	AC Transistor						
28	Service Brake	Type	Electro-Mechanical						
WT.	29	Truck Weight (approx.) Without Battery	No Load / Rated Load	lb (kg)	1400.0 / 9401.0 (635.0 / 4264.0)	1451.0 / 9451.0 (658.0 / 4287.0)	1495.0 / 9495.0 (678.0 / 4307.0)	1541.0 / 9542.0 (699.0 / 4328.0)	1585.0 / 9586.0 (719.0 / 4348.0)
	30	Axle Loading - Drive: Static with Maximum Wt. Battery (No Load)		lb (kg)	1814 (823)	1834 (832)	1916 (869)	2011 (912)	2103 (954)
	31	Axle Loading - Load Wheels (combined): Static w/Maximum Wt. Battery (No Load)		lb (kg)	732 (332)	754 (342)	719 (326)	670 (304)	622 (282)
WHEELS	32	Drive Tire: Size / Type (Number of Wheels)		in	12.0 x 4.5 x 8.0 / Polyurethane (1)				
	33	Load Wheel: Size / Type (No. of Wheels) (No. of Bearings)		in	3.25" x 6.5" / Polyurethane (2) (4)				
	34	Caster Wheel: Size / Type (No. of Wheels) Caster Type		in	4.0' x 2.5" / Polyurethane (2) Urethane Block Loaded				
BATTERY	35	Type		Lead Acid					
	36	Ampere Hours - Maximum		ah	930				
	37	Ampere Hours - Minimum		ah	375				
	38	Maximum Weight		lb (kg)	1500 (680)				
	39	Minimum Weight		lb (kg)	540 (245)				

NOTE: Above specifications, unless otherwise listed, are for a standard truck without optional equipment. Right Angle Stack and Equal Intersecting Aisle are calculated using a 40" wide pallet.

CERTIFICATION: These Hyster® lift trucks meet design specifications of Part II ANSI B56.1-1969, as required by OSHA Section 1910.178(a)(2) and also comply with Part III ANSI B56.1-revision in effect at time of manufacture. Certification of compliance with the applicable ANSI standards appears on the lift truck. Performance specifications are for a truck equipped as described under Standard Equipment on this Technical Guide. Performance specifications are affected by the condition of the vehicle and how it is equipped, as well as by the nature, condition of the operating area, proper service and maintenance of the vehicle. If these specifications are critical, the proposed application should be discussed with your dealer.

B80Z^{HD} SPECIFICATIONS

GENERAL	1	Manufacturer						Hyster
	2	Model Designation						B80Z ^{HD}
	3	Power Type						24 Volt
	4	Operator Type						Stand Ride
	5	Rated Capacity						8000 (3629)
	6	Fork Length	Nominal	in. (mm)	84 (2134)	93 (2362)	96 (2438)	144 (3658)
			Actual	in. (mm)	83.8 (2128)	92.8 (2357)	95.8 (2433)	143.8 (3652)
	7	Fork Overall Width		in. (mm)	28.0 (710)		28.6 (726)	
	8	Fork Width	Individual Fork	in. (mm)	10.0 (254)		10.6 (270)	
	9	Load Distance (Face of Battery Box to Center of Load Wheels)	Raised	in. (mm)	56.3 (1430)		104.3 (2649)	83.9 (2131)
			Lowered	in. (mm)	60.6 (1540)		108.6 (2759)	87.7 (2228)
	10	Wheelbase	Raised	in. (mm)	84.3 (2141)		132.3 (3360)	111.4 (2829)
			Lowered	in. (mm)	88.1 (2238)		136.1 (3457)	115.2 (2926)
	11	Overall Length	Raised	in. (mm)	126.3 (3207)	135.3 (3436)	138.3 (3512)	186.3 (4731)
			Lowered	in. (mm)	125.7 (3194)	134.8 (3423)	137.8 (3499)	185.7 (4718)
	12	Center of Load Wheel to Tip of Forks	Raised	in. (mm)	27.5 (698)	36.5 (927)	39.5 (1003)	59.9 (1521)
			Lowered	in. (mm)	23.1 (588)	32.2 (817)	35.2 (893)	56.1 (1424)
14	Outside Turning Radius	Raised	in. (mm)	98.8 (2509)		146.8 (3728)	125.9 (3197)	
		Lowered	in. (mm)	102.6 (2606)		150.6 (3825)	129.7 (3294)	
15	Right Angle Stack	Raised	in. (mm)	141.1 (3583)		186.9 (4746)	187.8 (4770)	
16	Equal Intersecting Aisle	Raised	in. (mm)	82.2 (2089)		106.9 (2716)	98.7 (2506)	
17	Grade Clearance	Chassis	%	27				
		Ctr of Wheelbase	%	22		14	17	
		Forks	%	17	13	12	8	
18	Overall Lift Height	Top of Forks	in. (mm)	9.3 (235)				
19	Lowered Height	Top of Forks	in. (mm)	3.3 (84)				
20	Total Lift		in. (mm)	5.9 (151)				
21	Truck Overall Width		in. (mm)	36.9 (937)				
22	Chassis Length	Raised	in. (mm)	42.5 (1079)				
		Lowered	in. (mm)	42.0 (1066)				
23	Battery Compartment (Standard / With Battery Rollers)	32.0 x 13.4 x OPEN (813 x 340 x OPEN)						
24	Maximum Travel Speed - Chassis First	No Load / Rated Load	mph (kph)	9.0 / 6.0 (14.5 / 9.7)				
25	Maximum Travel Speed - Forks First	No Load / Rated Load	mph (kph)	6.0 / 6.0 (9.7 / 9.7)				
26	Number of Speeds	Infinitely Variable						
27	Traction Motor Control Method	Type	AC Transistor					
28	Service Brake	Type	Electro-Mechanical					
29	Truck Weight (approx.) Without Battery	No Load / Rated Load	lb. (kg)	1704.0 / 9705.0 (773.0 / 4402.0)	1759.0 / 9760.0 (798.0 / 4427.0)	1790.0 / 9791.0 (812.0 / 4441.0)	2154.0 / 10154.0 (977.0 / 4606.0)	2134.0 / 10134.0 (968.0 / 4567.0)
30	Axle Loading - Drive: Static with Maximum Wt. Battery (No Load)		lb. (kg)	2211 (1003)	2264 (1027)	2313 (1049)	2624 (1190)	2624 (1190)
31	Axle Loading - Load Wheels (combined): Static w/Maximum Wt. Battery (No Load)		lb. (kg)	633 (287)	635 (288)	621 (282)	661 (300)	661 (300)
32	Drive Tire: Size / Type (Number of Wheels)	12.0 x 4.5 x 8.0 / Polyurethane (1)						
33	Load Wheel: Size / Type (No. of Wheels) (No. of Bearings)	3.25" x 6.5" / Polyurethane (2) (4)						
34	Caster Wheel: Size / Type (No. of Wheels) Caster Type	4.0' x 2.5" / Polyurethane (2) Urethane Block Loaded						
35	Type	Lead Acid						
36	Ampere Hours - Maximum		ah	930				
37	Ampere Hours - Minimum		ah	375				
38	Maximum Weight		lb. (kg)	1500 (680)				
39	Minimum Weight		lb. (kg)	540 (245)				

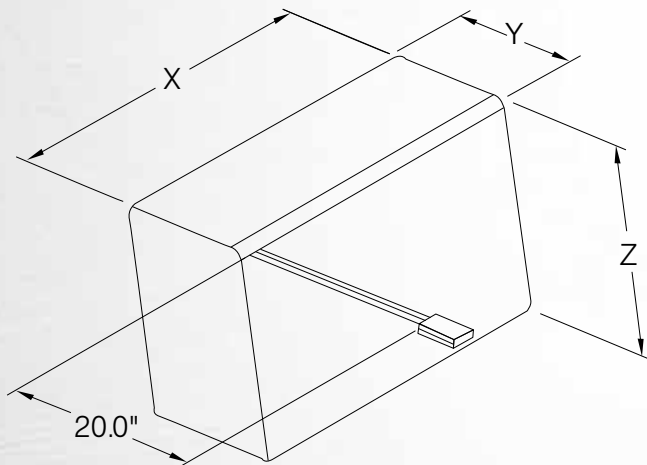
NOTE: Above specifications, unless otherwise listed, are for a standard truck without optional equipment. Right Angle Stack and Equal Intersecting Aisle are calculated using a 40" wide pallet.

CERTIFICATION: These Hyster® lift trucks meet design specifications of Part II ANSI B56.1-1969, as required by OSHA Section 1910.178(a)(2) and also comply with Part III ANSI B56.1-revision in effect at time of manufacture. Certification of compliance with the applicable ANSI standards appears on the lift truck. Performance specifications are for a truck equipped as described under Standard Equipment on this Technical Guide. Performance specifications are affected by the condition of the vehicle and how it is equipped, as well as by the nature, condition of the operating area, proper service and maintenance of the vehicle. If these specifications are critical, the proposed application should be discussed with your dealer.

B60-80Z^{HD} BATTERY SPECIFICATIONS

B60-80Z ^{HD} BATTERY SPECIFICATIONS							
Battery Type	Number of Cells	Cell Size	Plates per Cell	Capacity 6 Hr Rate	Battery Dimensions		
					"X"	"Y"	"Z"
				amp hr (kwh)	in. (mm)	in. (mm)	in. (mm)
Industrial	12	75	11	375 (8.7)	26.5 (673)	13.0 (330)	23.3 (592)
	12	85	11	425 (9.9)	26.1 (663)	13.0 (330)	23.3 (592)
	12	75	13	450 (10.5)	30.9 (785)	13.0 (330)	23.3 (592)
	12	85	13	510 (11.9)	30.9 (785)	13.0 (330)	23.3 (592)
	12	100	13	600 (14.0)	30.9 (785)	13.0 (330)	26.2 (665)
	12	125	13	750 (17.6)	30.9 (785)	13.0 (330)	31.0 (787)
	12	155	13	930 (21.5)	30.9 (785)	13.0 (330)	31.0 (787)

- (1) Battery Connector: SB 175 Amp Red - Standard / SB 175 Amp Grey - Optional
- (2) Battery Lead: Length 20" (508mm), Position "B", 1/0 AWG
- (3) Battery Cover Required



STANDARD FEATURES AND OPTIONS

STANDARD EQUIPMENT

- 48" long forks – standard tip
- 27" fork spread
- Standard construction operating temperatures: +32° F to + 120° F
- Smooth polyurethane drive tire – 90 durometer
 - 10" x 5.0" (B60Z^{HD})
 - 12" x 4.5" (B80Z^{HD})
- Single polyurethane load wheels – 3.25" X 6.5"
- Casters – spring loaded, 4" x 2.5" Polyurethane wheel (B60Z^{HD})
- Heavy duty casters – urethane block loaded, 4" x 2.5" polyurethane wheel (B80Z^{HD})
- Hyster i³ Technology™
 - Multifunction display
 - Battery state of charge
 - Hour meter
 - Low battery lift interrupt
 - Performance mode indicator
 - Fault indicator
- Manual steering
- Key ignition switch
- 24 volt AC transistor control electrical system
- Grab bar with foam grip
- AC traction motor
- 4 operator selectable, programmable performance modes
- Integrated "soft start" transistor lift pump control
- ADS (Auto Deceleration System) w/regenerative braking
- High performance and extended shift feature
- 32.0" x 13.4" open battery compartment
- Electro-mechanical park brake
- UL Classification "E"
- Electronic horn
- Ergonomically designed, impact resistant, steel reinforced control handle with butterfly travel control
- Pallet Exit rollers and runners / entry blades or skids
- Knock-out load wheel axles
- 3-1/4" lowered / 6" lift height / 9-1/4" overall raised
- Boxed fork construction with reinforced fork tips
- Flush pallet stop
- Heavy duty, long life lift linkage with lubrication fittings
 - "X" groove style greaseable pivot bushings
 - Hardened, bolt retained flag linkage pins
- On-board software
 - Program, test and diagnose
 - No handset required
 - Password protected
- Operating manual
- 12 months / unlimited hour manufacturer's warranty
- 36 months / 6,000 hour powertrain warranty
- Lifetime main frame warranty

OPTIONAL EQUIPMENT

- UL Classification "EE"
- Electronic power assist steering
- Battery rollers
- Cast aluminum control handle with rotary grip / butterfly travel control
- Convenience tray (load backrest mounted or battery mounted)
- RF terminal power supply – 24-volt
- Audible alarm
- Visible alarm – pole mounted amber strobe
- Advanced coast control with side glide
- Manual coast control with side glide
- Stability casters
 - Heavy duty – greaseable wheel (std on B80Z^{HD})
 - Heavy duty – sealed wheel
- Fork lengths
 - 36" long forks – standard tip
 - 42" long forks – standard tip
 - 54" long forks – standard tip
 - 60" long forks – standard tip
 - 96" long forks – standard tip (B60Z^{HD} Only)
 - 84" long forks – extended tip
 - 93" long forks – extended tip
 - 96" long forks – extended tip
 - 144" long forks – extended tip (B80Z^{HD} Only)
 - 144" long forks – short wheelbase extended tip (B80Z^{HD} Only)
- Drive tire
 - B60Z^{HD}
 - Rubber – 65 durometer, 10" X 5.0"
 - Red polyurethane – 85 durometer, 10" X 5.0"
 - Vulkollan polyurethane – 90 durometer, 10" X 5.0"
 - B80Z^{HD}
 - Soft polyurethane – 80 durometer, 12" X 4.5"
 - Red polyurethane – 85 durometer, 12" X 4.5"
 - Vulkollan polyurethane – 90 durometer, 12" X 4.5"
- Load wheels
 - Single and dual
 - 2 bearing and 4 bearing
 - Standard bearing and sealed bearing
- Load backrest
 - 48" high (pivoting or bolt-on)
 - 60" high (pivoting or bolt-on)
 - 72" high (bolt-on)
- Application/Environmental Construction
 - Cooler/Freezer Package:
Operating temperatures: 0° F to +120° F
 - SUBZERO Freezer Package:
Operating temperatures: -40° F to +120° F
 - Wash Down Package:
Operating temperatures: 0° F to +120° F
 - Extreme Corrosion Wash Down Package:
Operating temperatures: 0° F to +120° F



Hyster Company
P.O. Box 7006
Greenville, North Carolina
27835-7006
Part No. B60-80ZHD/TG
6/2015 Litho in U.S.A.

Visit us online at www.hyster.com or call us at 1-800-HYSTER-1.

Hyster and  are registered trademarks of Hyster Company. Hyster products are subject to change without notice.

All trucks shown with optional equipment. ©2015 Hyster Company. All rights reserved.